



# AGM GOLF CART BATTERY

## Model: AT62250 (6V224Ah)

### Specification

Nominal Voltage		6V
Rated Capacity (25°C)	20 Hour Rate (11.2A to 5.25Volts)	224 Ah
	10 Hour Rate (21.0A to 5.25Volts)	210 Ah
	5 Hour Rate (38.0A to 5.1 Volts)	190 Ah
Reserve Capacity	@25A	475 Minutes
	@75A	132 Minutes
Dimensions	Length	260 mm (10.24 inches)
	Width	180 mm (7.09 inches)
	Height	247 mm (9.72 inches)
	Total Height	253 mm (9.96 inches)
Weight		30.5kg(67.3lbs)



### Characteristics

Capacity Affected by Temperature (20 HR)			Self Discharge @ 25°C(77°F)	Max. Discharge Current @ 25°C(77°F)	Charging @ 25°C(77°F) (Constant Voltage)		Internal Resistance @ 25°C(77°F)	Container material
0°C (32°F)	25°C (77°F)	40°C (104°F)			Cycle	Float		
85%	100%	102%	<3% of capacity per month	2000A(5S)	7.20~7.35V	6.8~6.9V	1.4m Ω	ABS

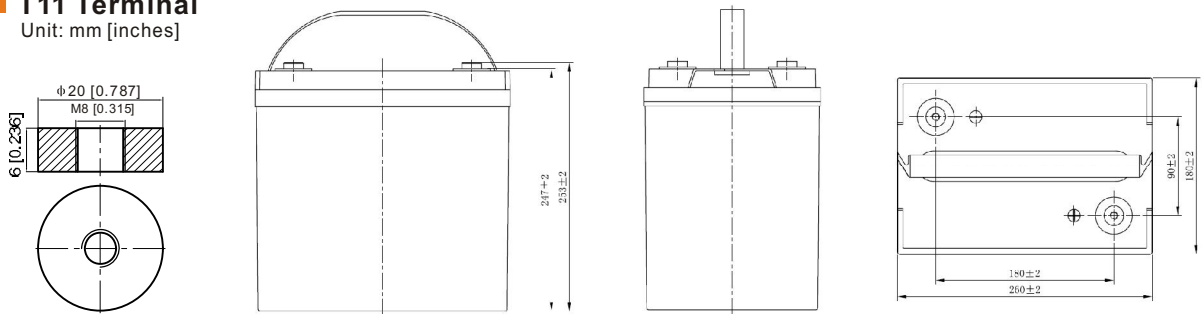
### Typical Applications

- Golf cart
- Electric vehicle
- Solar
- Wheelchair
- Electric sightseeing car
- Electric scooter
- Electric forklift
- Scraper
- Marine
- Portable Medical device

## Battery Structure and Size

### T11 Terminal

Unit: mm [inches]



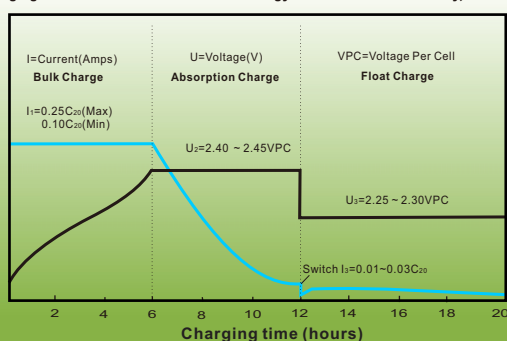
## Key Features & Benefits

- Maintenance-free sealed construction, spill proof — safe and reliable.
- Strength-enhanced ABS container and compressed plate groups — better vibration and impact resistant.
- Special Lead-Calcium grid design — better corrosion resistant, deep discharge performance, higher capacity and longer cycle life.
- High porosity AGM separator — high oxygen recombination rate to ensure minimum gassing.
- Brass insert terminals — superior conductivity and high rate discharge performance.
- Low internal resistance — high charge acceptance and quick recharge.
- Low self discharge — longer shelf life than conventional batteries.

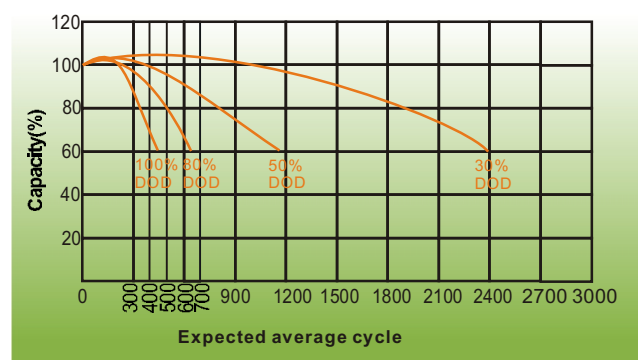
## Performance Characteristics

### Charging characteristic (25°C, 77°F)

Charging time will be shorten if there is energy remainder in the battery, it's a reference value.



### Cycle life in relation to depth of discharge



## OFFICES AND BRANCHES

### NEW SOUTH WALES

**South**  
1A Reconciliation Rise,  
Pemulwuy NSW 2145  
Tel: 02 9840 2828

**North**  
7/45 Griffith Road,  
Lambton NSW 2299  
Tel: 02 4956 1988

### QUEENSLAND

128 Gardens Drive,  
Willawong QLD 4110  
Tel: 07 3711 8900

### VICTORIA & TASMANIA

93 Cherry Lane,  
Laverton North VIC 3026  
Tel: 03 9310 1995

### SOUTH AUSTRALIA & NORTHERN TERRITORY

9-11 Johansson Road  
Wingfield SA 5013  
Tel: 08 8193 6800

### WESTERN AUSTRALIA

14 Aitken Way,  
Kewdale WA 6105  
Tel: 08 9353 2306